

STANDARD PLUGGABLE PRINTED CIRCUIT US Pin Spacing^a Headers

Horizontal or vertical headers offer different wire entry options and enhance plug accessibility. Closed end headers help prevent misplugging.

- Multipole, Single Mold Construction
- Industry Standard Compatible
- Horizontal and Vertical
- Open and Closed Ends
- Housing Material: Polyamide 6.6
- Standard Color: Green^b

^aBlocks with metric pin spacing begin on page 132.

Ratings
IEC/VDE
(File No. E101811)
(File No. LR68503)

Ordering Information	No. of Poles
Header, US (Inch) Pin Spacing	2
	3
	4
	5
	6
	7
	8
	9
	10
	11
	12
	13
	14
	15
	16
	17
	18
	19
	20
	21
	22
	23
	24



STLZ950-W Horizontal - Closed Ends

Pin Spacing 5.08mm (.200)

Use with AKZ950, BU02, BU04, AKZ1200 Plugs

Type	Cat. No.	Length L mm (in.)	Current		Voltage																																										
			Std. Pk.	12A	15A	250V	300V																																								
STLZ950/2-w	37.102	11.36 (.45)	100	12A	15A	250V																																									
STLZ950/3-w	37.103	16.44 (.65)	100	12A	15A	300V																																									
STLZ950/4-w	37.104	21.52 (.85)	50	12A	15A	300V																																									
STLZ950/5-w	37.105	26.60 (1.05)	50	12A	15A	300V																																									
STLZ950/6-w	37.106	31.68 (1.25)	50	12A	15A	300V																																									
STLZ950/7-w	37.107	36.76 (1.45)	30	12A	15A	300V																																									
STLZ950/8-w	37.108	41.84 (1.65)	30	12A	15A	300V																																									
STLZ950/9-w	37.109	46.92 (1.85)	30	12A	15A	300V																																									
STLZ950/10-w	37.110	52.00 (2.05)	30	12A	15A	300V																																									
STLZ950/11-w	37.111	57.08 (2.25)	20	12A	15A	300V																																									
STLZ950/12-w	37.112	62.16 (2.45)	20	12A	15A	300V																																									
STLZ950/13-w	37.113	67.24 (2.65)	20	12A	15A	300V																																									
STLZ950/14-w	37.114	72.32 (2.85)	20	12A	15A	300V																																									
STLZ950/15-w	37.115	77.40 (3.05)	20	12A	15A	300V																																									
STLZ950/16-w	37.116	82.48 (3.25)	15	12A	15A	300V																																									
STLZ950/17-w	37.117	87.56 (3.45)	15	12A	15A	300V																																									
STLZ950/18-w	37.118	92.64 (3.65)	15	12A	15A </tr <tr> <td>STLZ950/19-w</td> <td>37.119</td> <td>97.72 (3.85)</td> <td>15</td> <td>12A</td> <td>15A</td> <td>300V</td> </tr> <tr> <td>STLZ950/20-w</td> <td>37.120</td> <td>102.80 (4.05)</td> <td>15</td> <td>12A</td> <td>15A</td> <td>300V</td> </tr> <tr> <td>STLZ950/21-w</td> <td>37.121</td> <td>107.88 (4.25)</td> <td>10</td> <td>12A</td> <td>15A</td> <td>300V</td> </tr> <tr> <td>STLZ950/22-w</td> <td>37.122</td> <td>112.96 (4.45)</td> <td>10</td> <td>12A</td> <td>15A</td> <td>300V</td> </tr> <tr> <td>STLZ950/23-w</td> <td>37.123</td> <td>118.04 (4.65)</td> <td>10</td> <td>12A</td> <td>15A</td> <td>300V</td> </tr> <tr> <td>STLZ950/24-w</td> <td>37.124</td> <td>123.13 (4.85)</td> <td>10</td> <td>12A</td> <td>15A</td> <td>300V</td> </tr>	STLZ950/19-w	37.119	97.72 (3.85)	15	12A	15A	300V	STLZ950/20-w	37.120	102.80 (4.05)	15	12A	15A	300V	STLZ950/21-w	37.121	107.88 (4.25)	10	12A	15A	300V	STLZ950/22-w	37.122	112.96 (4.45)	10	12A	15A	300V	STLZ950/23-w	37.123	118.04 (4.65)	10	12A	15A	300V	STLZ950/24-w	37.124	123.13 (4.85)	10	12A	15A	300V
STLZ950/19-w	37.119	97.72 (3.85)	15	12A	15A	300V																																									
STLZ950/20-w	37.120	102.80 (4.05)	15	12A	15A	300V																																									
STLZ950/21-w	37.121	107.88 (4.25)	10	12A	15A	300V																																									
STLZ950/22-w	37.122	112.96 (4.45)	10	12A	15A	300V																																									
STLZ950/23-w	37.123	118.04 (4.65)	10	12A	15A	300V																																									
STLZ950/24-w	37.124	123.13 (4.85)	10	12A	15A	300V																																									



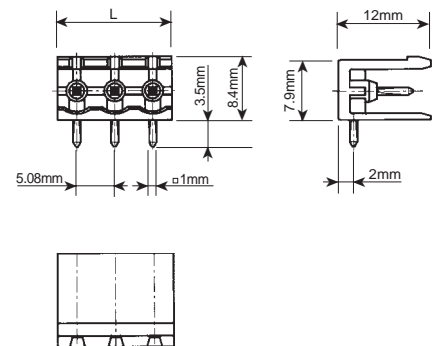
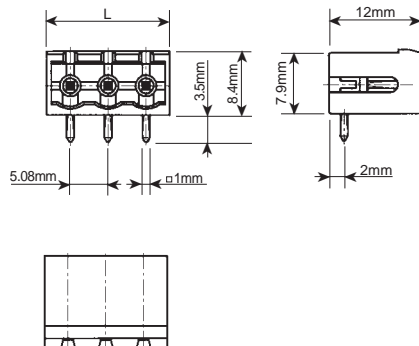
STLZ950-O Horizontal - Open Ends

Pin Spacing 5.08mm (.200)

Use with AKZ950, BU02, BU04, AKZ1200 Plugs

Type	Cat. No.	Length L mm (in.)	Current		Voltage	
			Std. Pk.	12A	15A	250V
STLZ950/2-o	37.452	10.08 (.40)	100	12A	15A	250V
STLZ950/3-o	37.453	15.16 (.60)	100	12A	15A	300V
STLZ950/4-o	37.454	20.24 (.80)	50	12A	15A	300V
STLZ950/5-o	37.455	25.32 (1.00)	50	12A	15A	300V
STLZ950/6-o	37.456	30.40 (1.20)	50	12A	15A	300V
STLZ950/7-o	37.457	35.48 (1.40)	30	12A	15A	300V
STLZ950/8-o	37.458	40.56 (1.60)	30	12A	15A	300V
STLZ950/9-o	37.459	45.64 (1.80)	30	12A	15A	300V
STLZ950/10-o	37.460	50.72 (2.00)	30	12A	15A	300V
STLZ950/11-o	37.461	55.80 (2.20)	20	12A	15A	300V
STLZ950/12-o	37.462	60.88 (2.40)	20	12A	15A	300V
STLZ950/13-o	37.463	65.96 (2.60)	20	12A	15A	300V
STLZ950/14-o	37.464	71.04 (2.80)	20	12A	15A	300V
STLZ950/15-o	37.465	76.12 (3.00)	20	12A	15A	300V
STLZ950/16-o	37.466	81.20 (3.20)	15	12A	15A	300V
STLZ950/17-o	37.467	86.28 (3.40)	15	12A	15A	300V
STLZ950/18-o	37.468	91.36 (3.60)	15	12A	15A	300V
STLZ950/19-o	37.469	96.44 (3.80)	15	12A	15A	300V
STLZ950/20-o	37.470	101.52 (4.00)	15	12A	15A	300V
STLZ950/21-o	37.471	106.60 (4.20)	10	12A	15A	300V
STLZ950/22-o	37.472	111.68 (4.40)	10	12A	15A	300V
STLZ950/23-o	37.473	116.76 (4.60)	10	12A	15A	300V
STLZ950/24-o	37.474	121.84 (4.80)	10	12A	15A	300V

mm		in.		Dimensions			
1.00	0.039	8.20	0.323				
2.00	0.079	8.40	0.331				
3.10	0.122	11.30	0.445				
3.50	0.138	12.00	0.472				
3.80	0.150	15.16	0.597				
3.90	0.154	15.26	0.601				
5.08	0.200	16.44	0.647				
7.90	0.311	17.00	0.669				



^bGray available, please consult Altech